

DESCRIPTION :

The NE1770 is a transistorized PWM servo controller complete with integral power supply. It is primarily intended for use with permanent magnet dc servomotors rated at up to 6.3kW. The features provided by the NE1770 make it an extremely versatile servo controller that can be configured to operate in a wide variety of applications.

FEATURES :

- Integral power supply allows for operation from either an AC or DC supply.
- Integral bus shunt regulator provides for dissipation of regenerated energy. Requires the use of an external power dump resistor.
- 4-Quadrant operation.
- Operating parameters on customizable Personality Module.
- Can be configured for both Velocity and Current (Torque) control modes.
- Link selectable Tach or Armature Voltage Feedback.
- External current limit input.
A voltage input that allows the user to control the peak current limit while operating in speed control mode.
- Current fold-back function limits the average current available to the motor.
- Short-circuit protection.
- Positive and negative over-travel limit inputs.
- LED status indication.



Technical Data			
Supply Voltage (3-phase a.c.)	Max.	145	V AC
	Min	50	V AC
Bus Voltage	Max	205	V DC
	Min	70	V DC
Armature Output Current	Peak	70	A
	Cont.	35	A
Switching Frequency		17	kHz
Armature Inductance	Min.	0.7	mH
Operating Temperature	Min.	0	°C
	Max.	50	°C
Height		325	mm
Width		165	mm
Depth		220	mm
Protection Class		IP20	

CONTROL SIGNALS :

Command I/P	±10V Differential input
Tach I/P	±60V Single-ended tach feedback input
Enable I/P)
+Limit I/P)--- Active-high, +10V to +28V input
-Limit I/P)
Fault O/P	NPN open collector output. 28V, 75mA max.

USER ADJUSTMENTS :

All adjustments (apart from the Offset) are made on a customizable Personality Module.

They are:

- Offset	Pot on main board
- Stability	Pot / fixed resistors
- Peak current limit	Pot / fixed resistors
- Command gain	Pot / fixed resistors
- Tach gain	Pot / fixed resistors

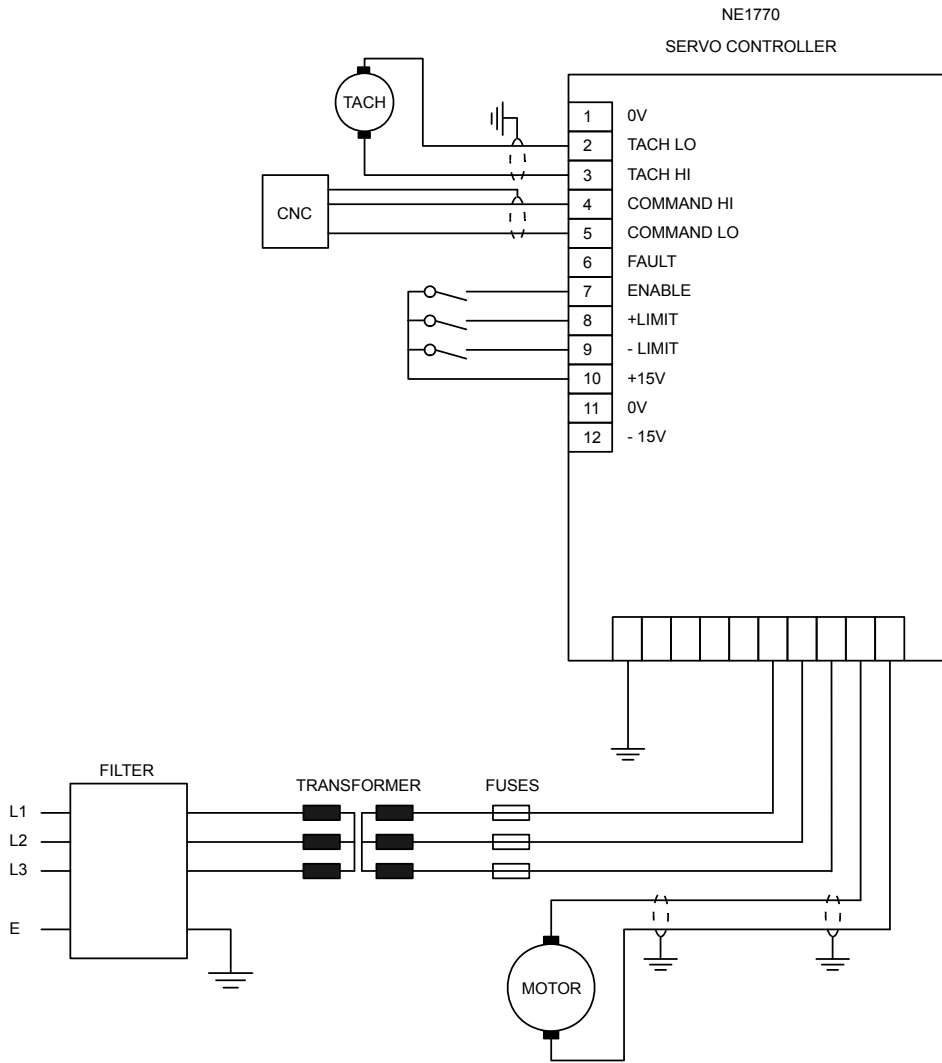
NORWIN ELECTRONICS LTD

Unit 6, Station Road, Gamlingay, Sandy, Bedfordshire, SG19 3HB

Phone: +44 (0) 1767 651485 Fax: +44 (0) 1767 651623 Web: www.norwin.co.uk



ELECTRICAL CONNECTIONS



OUTLINE DIMENSIONS

